



Instruction Manual

CAUTIONS

- Read the entire manual carefully before installation and operation.
- It is recommended that the installation be performed by a licensed and qualified electrician.
- Switch off the power source before installation or replacement.
- Before lamp replacement, turn off and allow the lamp to cool down. Heat-resistant gloves are mandatory when handling the lamp.
- Avoid excessive squeezing of the lamp tube during installation.
- Tampering of the lamp while it is hot may affect its performance.
- The MEGAMAN® CFL with 100% to 10% linear dimming feature works with most conventional dimmers for incandescent lamps or halogens. Please visit www.megaman.cc/user-guide for compatible dimmer lists. Due to possible variations in country dimmer module specifications, please contact your local distributor for a list of compatible dimmers before installation.
- Touch dimmer and remote controlled dimmer do not apply.
- The dimmable CFL should be operated within its optimal dimming range:
 Optimal maximum brightness level: 100% brightness
 Optimal minimum brightness level: 10% brightness
 (Note: The dimming performance of the optimal minimum brightness (10% brightness) depends on the performance of the dimmer.)
- Certain dimmer switches may cause the dimmable CFL to flicker when it is illuminated below the "optimal minimum brightness level". The knob on the dimmer switch can be adjusted to prevent flickering. (Note: Certain dimmer switches are equipped with a potentiometer. The potentiometer is a small device to fine-tune the resistance of the dimmer switch to obtain the desired minimum light output of the lamp without flickering. Please refer to steps 4 to 7 of "INSTALLATION" for details.)
- A CFL lamp might still operate even when its glass envelope is broken. However, the live parts of the lamp could be exposed, creating a risk of electric shock. If damaged, please switch off the lamp and refrain from using it until it has been replaced correctly.
- Where there is a discrepancy in the weight of the lamp to be replaced, it is recommended that a check be made of the maximum loading of the luminaire before installation to avoid any unstable mechanical function being caused to the luminaire.
- The manufacturer accepts no liability for any damage resulting from the misuse of the lamp or from when it is used with inappropriate equipment.
- Consult the local distributor if there are any questions about this product.

LOADING RANGE

- Please pay attention to the **Minimum and Maximum** Loads of the dimmer switch used.
- For the best dimming performance, the number of CFL connected should be within the minimum and maximum loads of the dimmer switch used. Please see the following for the calculation:

MINIMUM Load Requirement

Calculation:

Minimum load of dimmer switch x 1/6 = Minimum wattage of lamp(s) required

For instance, if the minimum load of a dimmer switch is 60W, the minimum wattage for the total CFL connected should be at least 10W (60W x 1/6) or above.

The minimum load of the dimmer switch	Minimum wattage of the total CFL required	Minimum number of the CFL required
60W	$60W \times 1/6 = 10W$	$10W / 8W = 1.25$ pieces (i.e. 2 pieces)

The dimmable CFL may flicker if the total wattage of the CFL connected is below the minimum load of the dimmer switch.

MAXIMUM Load Requirement

Calculation:

Maximum load of dimmer switch x 1/5 = Maximum wattage of lamp(s) allowed

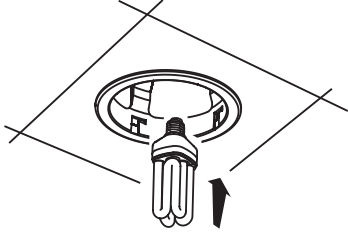
For instance, if the maximum load of a dimmer switch is 300W, the maximum wattage for the total CFL connected should be 60W (300W x 1/5) or below.

The maximum load of the dimmer switch	Maximum wattage of the CFL allowed	Maximum number of the CFL allowed
300W	$300W \times 1/5 = 60W$	$60W / 8W = 7.5$ pieces (i.e. 7 pieces)

Malfunction or failure of the dimmer switch may occur if the total wattage of the CFL connected exceeds the maximum load of the dimmer switch.

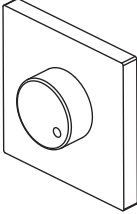
Installation

Install the lamp in the lamp holder.



Step 1

Switch the lamp ON for at least 1 minute with the knob turned to full brightness level.

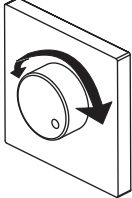


Note: This step is required to ensure that the installation is correct.

Step 2

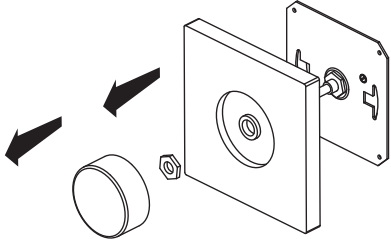
Turn the knob to check:
a) if the minimum brightness level fits requirements; and
b) if the lamp flickers during the dimming process

The installation is complete if the minimum brightness level requirement is satisfied and the lamp does not flicker during the dimming process. If these two points are not met, please refer to steps 4 to 7.



Step 3

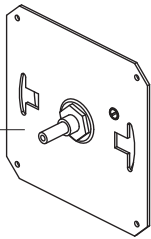
Switch the lamp OFF and remove the cover of the dimmer switch; on some dimmer switches, the potentiometer may be visible.



Step 4

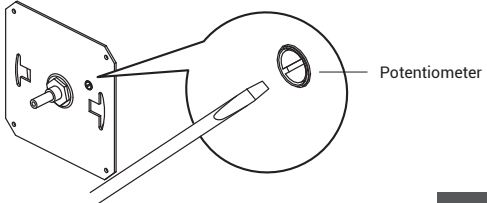
Switch the lamp ON again and turn the knob until the full brightness level is reached. Then turn the knob in the reverse direction until the lamp reaches the minimum brightness level. At this point, the lamp may flicker or switch OFF.

Turn the knob until minimum brightness level is reached



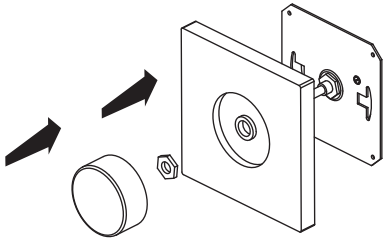
Step 5

Slowly adjust the potentiometer with a screwdriver until the lamp illuminates, and then turn the potentiometer in the reverse direction until it reaches the desired minimum brightness level without flickering.



Step 6

After adjustment, place the cover back on the dimmer switch. The installation is complete.



Step 7

Correct Disposal of this product

This marking indicates that this product should not be disposed with other household wastes throughout the EU. To prevent possible harm to the environment or human health from uncontrolled waste disposal, recycle it responsibly to promote the sustainable reuse of material resources.

To return your used device, please use the return and collection systems or contact the retailer where the product was purchased. They can take this product for environmental safe recycling.

