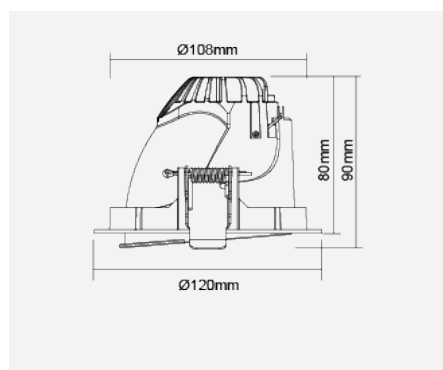
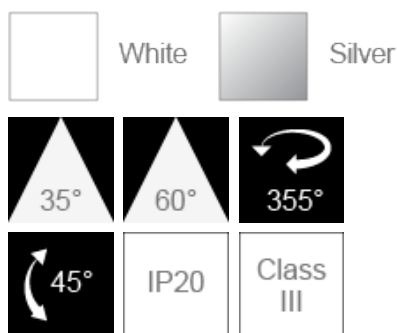
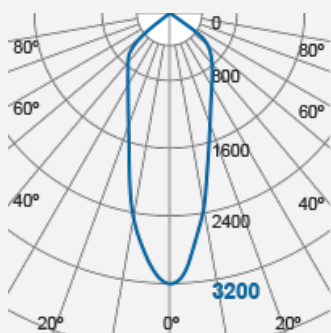


# CARLO Mini Adjustable Recessed Downlight (RDx) DIMMABLE



Luminaire with LED Module TECOH® RDx RD0231M (700mA)  
F51549RC-p-35°



Product Code:

**F51549RC**

Electrical Data	
Nominal Voltage (V)	DC35- 38.5V
Input Current (mA)	700
Product Data	
Product Wattage (W)	25
Light Source	TECOH® RDx RD0231M with input current 700mA
Beam Angle ( ° )	35, 60
Rotating Angle ( ° )	355
Tilting Angle ( ° )	45
Colour Temperature (K)	Warmwhite (3000K), Coolwhite (4000K)
Colour Render Index (Ra)	Ra82
Colour	White (WH26), Silver (SV26)
Materials	Metal housing
Protection Class	Class III
Dimmable	Yes
Suggested Driver	LD0425x1-C700
Weight (g)	431
Application	Commercial buildings, Department Stores, Exhibition Booths, Galleries and Museums, Shops and Boutiques
Performance Data	
Max. Luminous Intensity (cd)	4000 [35 ° ], 2700 [60 ° ]
Luminous Flux (lm)	2200 [3000K], 2400 [4000K]
Luminous Efficacy (lm/W)	88 [3000K], 96 [4000K]
Rated Life (hrs)	50000
IP Rating	IP20
Product Dimensions	
Diameter (mm)	120
Height (mm)	90
Cut-out (mm)	Ø108

Product Code: F51549RC

MEGAMAN® 2005-2018. All Rights Reserved.  
This document is for informational purpose only.

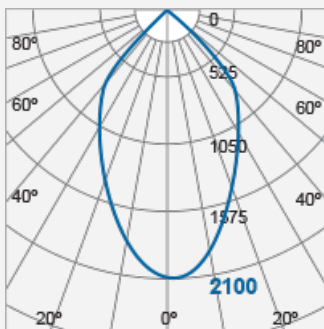
MEGAMAN® reserves the right to make changes from time to time in the interest of product developments without prior notification to any products herein.

[www.megaman.cc](http://www.megaman.cc)

m	Lux	Ø cm
0.5	12800	32
1	3200	63
1.5	1422	95
2	800	126

Beam angle = 35°

F51549RC-p-60 °



m	Lux	Ø cm
0.5	8400	58
1	2100	115
1.5	933	173
2	525	231

Beam angle = 60°

Remarks: Capable of linear dimming when working with DALI, DSI or 1-10V dimming driver, and the dimming performance depends on the specification of driver. The wattage declared is the wattage of the luminaire without driver; the system wattage will be dependent on driver choice. Different reflectors options available: LA3111 35 ° Reflector, LA3112 60 ° Reflector