

# MIRO Recessed Downlight (PAR16)



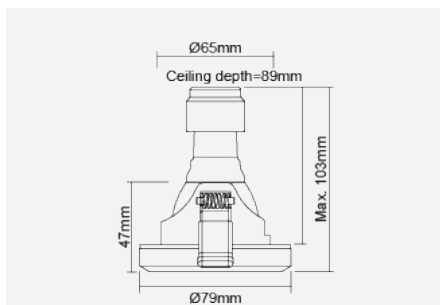
Silver



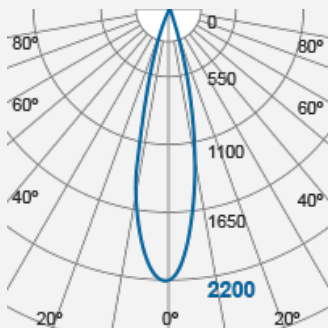
Product Code:

**F01417RC**

Product Data	
Max. Wattage (W)	8
Light Source	LED PAR16
Lamp Base	GU10
Colour	Silver (SV26)
Materials	Aluminium and polycarbonate
Protection Class	Class II
Dimmable	N/A
Weight (g)	110
Application	Corridors, Elevators, Hotels, Light Troughs, Offices, Shops
Performance Data	
IP Rating	IP65
Product Dimensions	
Diameter (mm)	79
Height (mm)	47
Cut-out (mm)	Ø65



Max. 8W LED PAR16 GU10




Product Code: F01417RC

MEGAMAN® 2005-2018. All Rights Reserved.  
This document is for informational purpose only.

MEGAMAN® reserves the right to make changes from time to time in the interest of product developments without prior notification to any products herein.

[www.megaman.cc](http://www.megaman.cc)



m	Lux	Ø cm
0.5	8800	21
1	2200	43
1.5	978	64
2	550	85

Beam angle = 24°

Product Code: F01417RC

MEGAMAN® 2005-2018. All Rights Reserved.

This document is for informational purpose only.

MEGAMAN® reserves the right to make changes from time to time in the interest of product developments without prior notification to any products herein.

[www.megaman.cc](http://www.megaman.cc)