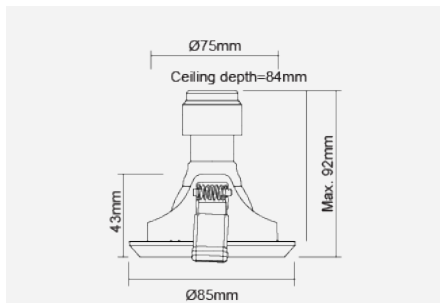
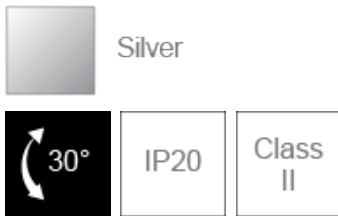
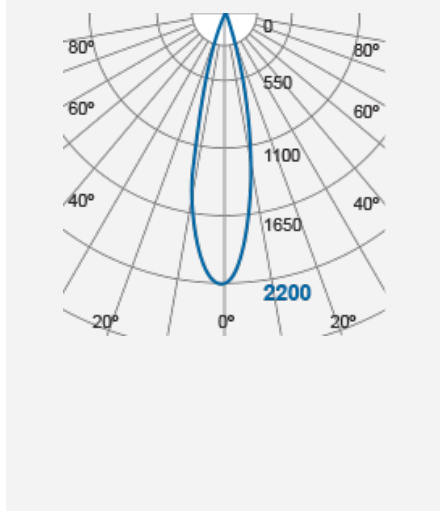


MIRO Adjustable Recessed Downlight (PAR16)



Max. 8W LED PAR16 GU10



Product Code:

F01517RC

Product Data

Max. Wattage (W)	8
Light Source	LED PAR16
Lamp Base	GU10
Tilting Angle (°)	30
Colour	Silver (SV26)
Materials	Aluminium and polycarbonate
Protection Class	Class II
Dimmable	N/A
Weight (g)	70
Application	Corridors, Elevators, Hotels, Light Troughs, Offices, Shops

Performance Data

IP Rating	IP20
-----------	------

Product Dimensions


Diameter (mm)	85
Height (mm)	43
Cut-out (mm)	Ø75

Product Code: F01517RC

MEGAMAN® 2005-2018. All Rights Reserved.
This document is for informational purpose only.

MEGAMAN® reserves the right to make changes from time to time in the interest of product developments without prior notification to any products herein.

www.megaman.cc



m	Lux	Ø cm
0.5	8800	21
1	2200	43
1.5	978	64
2	550	85

Beam angle = 24°

Product Code: F01517RC

MEGAMAN® 2005-2018. All Rights Reserved.

This document is for informational purpose only.

MEGAMAN® reserves the right to make changes from time to time in the interest of product developments without prior notification to any products herein.

www.megaman.cc