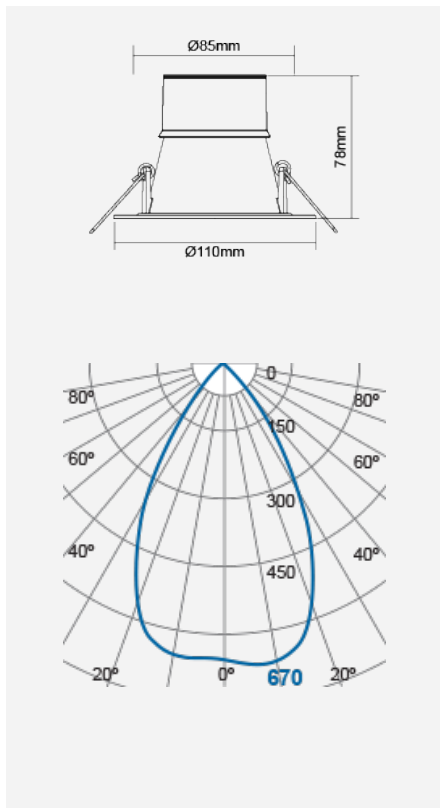


SIENA SR Recessed Downlight (Integrated) - Dim to Warm



Product Code:

F26400RC-w

Electrical Data	
Voltage (V)	220-240V
Power Factor	>0.9
Product Data	
Product Wattage (W)	13
Beam Angle (°)	60
Colour Render Index (Ra)	>Ra80
Colour	White (WH26), Silver (SV26)
Materials	Metal housing with silver reflector
Protection Class	Class I
Dimmable	100-10% (2800K-1800K)
Weight (g)	172
Performance Data	
Max. Luminous Intensity (cd)	670
Luminous Flux (lm)	900
Luminous Efficacy (lm/W)	69
Rated Life (hrs)	25000
IP Rating	IP20
Product Dimensions	
Diameter (mm)	110
Height (mm)	78
Remarks: Capable of linear dimming from 100% to 10% when working with most conventional dimmers. Please refer to the compatible dimmer list at www.megaman.cc/user-guide for further details.	

Technologies



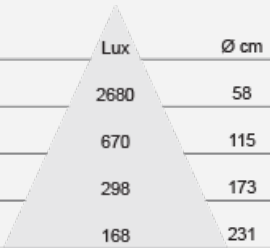
Following exactly the dimming curve of familiar incandescent and halogen lamps, the LED lamps could simultaneously emit a warmer light when they are dimmed from 100% to 10%.

Product Code: F26400RC-w

MEGAMAN® 2005-2018. All Rights Reserved.
This document is for informational purpose only.

MEGAMAN® reserves the right to make changes from time to time in the interest of product developments without prior notification to any products herein.

www.megaman.cc



m	Lux	Ø cm
0.5	2680	58
1	670	115
1.5	298	173
2	168	231

Beam angle = 60°