

# SIENALITE Recessed Downlight (Integrated)



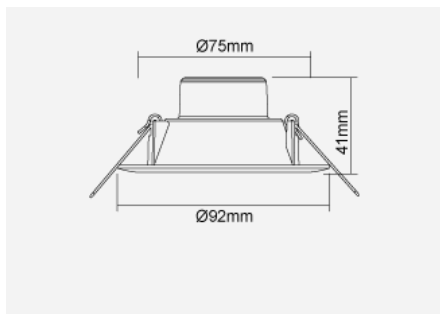
White



90°

IP20

Class II



Product Code:

**FDS70300v0**

Electrical Data	
Voltage (V)	220-240V
Product Data	
Product Wattage (W)	2.5
Beam Angle ( ° )	90
Colour Temperature (K)	Warmwhite (3000K), Coolwhite (4000K), Daylight (6500K)
Colour Render Index (Ra)	Ra80
Colour	White (WH12)
Materials	Polycarbonate
Protection Class	Class II
Dimmable	No
Operating Temperature	-30 ° C to +40 ° C
Application	Retail, Bathrooms, Hotels, Kitchens, Offices, Restaurants
Performance Data	
Luminous Flux (lm)	200 [3000K], 210 [4000K/6500K]
Luminous Efficacy (lm/W)	80 [3000K], 84 [4000K/6500K]
Rated Life (hrs)	25000
IP Rating	IP20
Product Dimensions	
Diameter (mm)	92
Height (mm)	41
Cut-out (mm)	Ø75

Product Code: FDS70300v0

MEGAMAN® 2005-2018. All Rights Reserved.  
This document is for informational purpose only.

MEGAMAN® reserves the right to make changes from time to time in the interest of product developments without prior notification to any products herein.

[www.megaman.cc](http://www.megaman.cc)