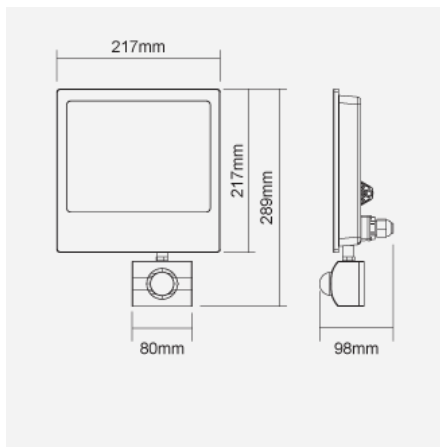


TOTT L Floodlight (Integrated) (With PIR Sensor)



Product Code:

FFL70400v0-ps

| Electrical Data | |
|---|--|
| Voltage (V) | 220-240V |
| Product Data | |
| Product Wattage (W) | 45 |
| Beam Angle (°) | 100 |
| Tilting Angle (°) | 160 |
| Colour Temperature (K) | Warmwhite (3000K), Coolwhite (4000K), Daylight (6500K) |
| Colour | White (WH12), Black (BK23) |
| Materials | Polycarbonate |
| Protection Class | Class II |
| Dimmable | No |
| Application | Billboards, Gate areas, Pillar Facades, Signages |
| Performance Data | |
| Max. Luminous Intensity (cd) | 2000 |
| Luminous Flux (lm) | 4200 |
| Luminous Efficacy (lm/W) | 93 |
| Rated Life (hrs) | 50000hrs at L70 B50 at Ta 25 ° C |
| Product Dimensions | |
| Length (mm) | 217 |
| Width (mm) | 217 |
| Height (mm) | 98 |
| Remarks: Accessories: LA10038/LA10039/LA10040 Working Stand LA10050 Extension arm | |

Product Code: FFL70400v0-ps

MEGAMAN® 2005-2018. All Rights Reserved.
This document is for informational purpose only.

MEGAMAN® reserves the right to make changes from time to time in the interest of product developments without prior notification to any products herein.

www.megaman.cc