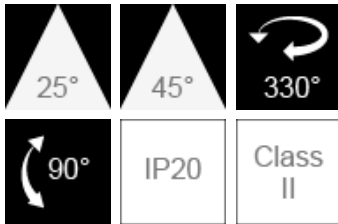


## MARCO Track Lighting (Integrated)



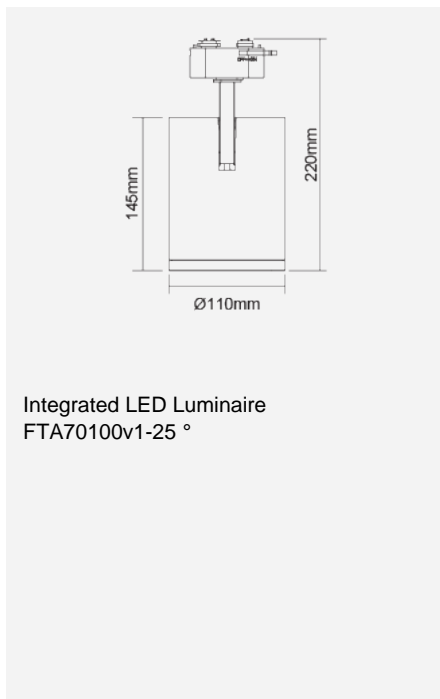
Black



90°

IP20

Class II



Integrated LED Luminaire  
FTA70100v1-25 °

Product Code:

FTA70100v1

### Electrical Data

Voltage (V)	220-240V
Power Factor	>0.9

### Product Data

Product Wattage (W)	52
Beam Angle ( ° )	25, 45
Rotating Angle ( ° )	330
Tilting Angle ( ° )	90
Colour Temperature (K)	Warmwhite (3000K), Coolwhite (4000K)
Colour Render Index (Ra)	Ra80
Colour Consistency (SDCM)	3
Colour	White (WH26), Silver (SV28), Black (BK24)
Materials	Aluminium
Protection Class	Class
Dimmable	No
Operating Temperature	-30 ° C to +40 ° C
Application	Hotels, Museums, Restaurants, Shop Lighting, Showrooms

### Performance Data

Max. Luminous Intensity (cd)	25000 [25 ° ], 10000 [45 ° ]
Luminous Flux (lm)	4800 [3000K], 5000 [4000K]
Luminous Efficacy (lm/W)	92 [3000K], 96 [4000K]
Rated Life (hrs)	50000hrs at L70 B50 at Ta 25 ° C

### Product Dimensions

Diameter (mm)	110
Height (mm)	248

Remarks: Accessories:

LA10054 Spread lens

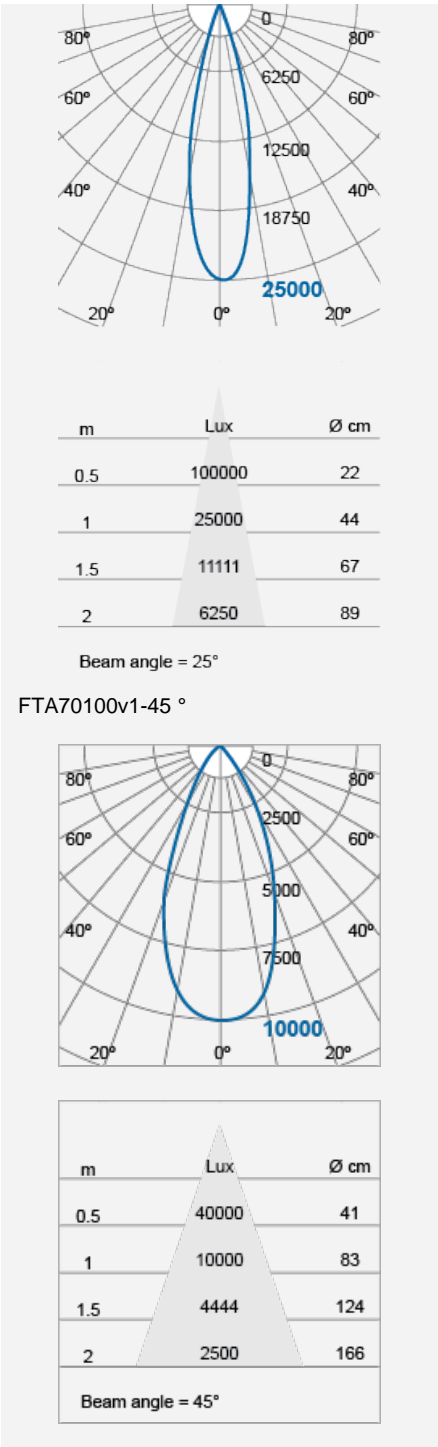
LA10055 Rectangular lens

Product Code: FTA70100v1

MEGAMAN® 2005-2019. All Rights Reserved.  
This document is for informational purpose only.

MEGAMAN® reserves the right to make changes from time to time in the interest of product developments without prior notification to any products herein.

[www.megaman.cc](http://www.megaman.cc)



Product Code: FTA70100v1